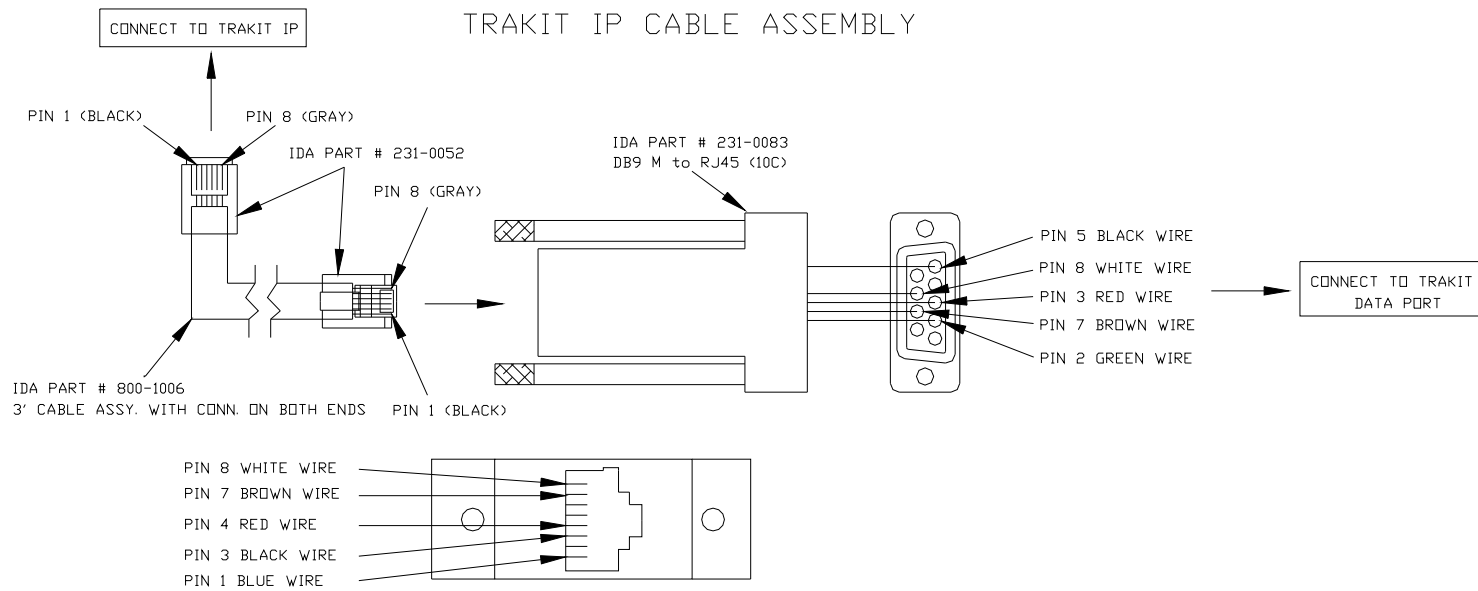


TRAKIT IP CONFIGURATION INSTRUCTIONS

1. Configure the TRAKIT IP box IP address and the network mask.
Example: % ifconfig 206.145.163.132 255.255.255.240
See the One Port User's Guide page 51.
2. Configure the default gateway.
Example: % route -f add (net or host) default 206.145.163.130 1
See the One Port User's Guide page 64.
3. Configure the idahost IP address.
Example: % idahost -f add 206.127.100.131 both
Or for use with GTDC or other RF/IP systems
Example: % idahost add 206.145.163.135 in
Example: % idahost add 206.145.163.136 out
See the IDA supplement to the One Port User's Guide page 2.
4. Configure the UDP port number.
Example: % idaport 1710 (TRAKIT AVL IP System)
Example: % idaport 6900 (GTDC or other RF/IP systems)
See the IDA supplement to the One Port User's Guide page 4.
5. Configure the UDP port buffer.
Example % idamode on
See the IDA supplement to the One Port User's Guide page 3.
6. Configure the TRAKIT IP box to lock the memory.
Example: % lockmem on
See the One Port User's Guide page 56.
7. Configure the TRAKIT IP box to silent.
Example: % ida on
See the IDA supplement to the One Port User's Guide page 1.

106-TRKIPCBL TRAKIT IP CABLE ASSEMBLY



TRAKIT-20B Interfaced to Radio with TRAKIT IP Unit

