

## Motorola GTX Interface

The following items are included in the Motorola GTX interface kit:

1. GTX interface cable assembly.
2. Cable tie.
3. Instruction sheet.

The following steps outline the procedure for interfacing the Motorola GTX radio to the TrakIt-20.

1. Set the TrakIt-20 up for a bench test and use the AVL Installer program to set the following operating constants in the installer table to the indicated value:

Transmit indicator active:	High
Receive indicator active:	Low
PTT output active:	Low
Enable Tx indicator as event 2:	No
External output active:	Low
External output mode:	Speaker mute

2. Configure the following jumpers as indicated:

JP1	Removed
JP4	B-C

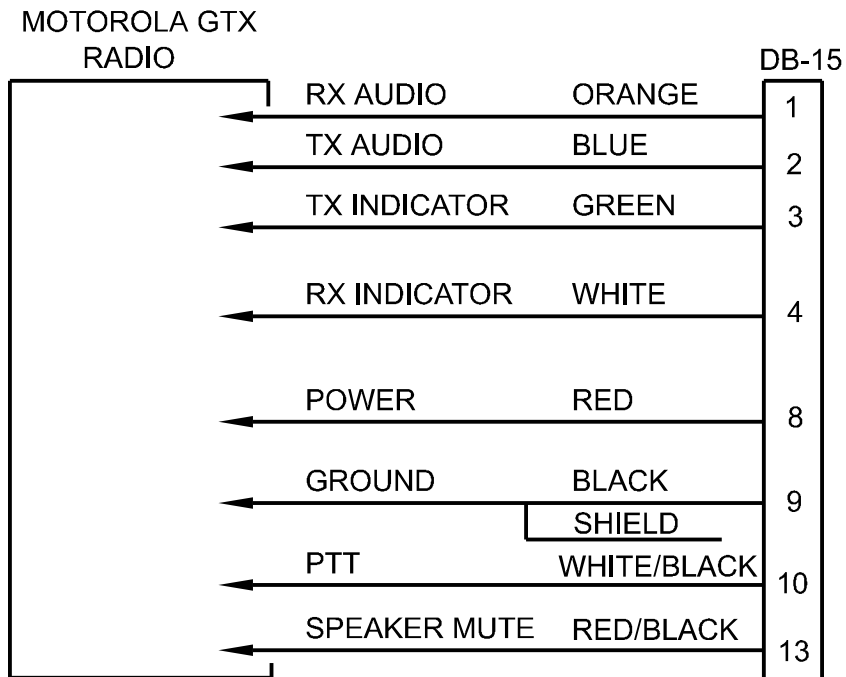
3. Remove the control head, the top cover, and the main board of the GTX radio by following the instructions in the GTX service manual.
4. Pass all the free wires of the GTX interface cable through the same hole in the accessory connector gasket and slide the gasket up the cable and out of the way.
5. Pass the white, red, and green wire from the GTX interface cable through the accessory connector hole in the radio chassis before connecting them to points internal to the radio.
6. Locate R0404 and R0405 on the bottom of the main board. Solder the white wire to the side of R0404 that is connected with a trace to R0405.
7. The red wire of the GTX interface cable should be soldered to the mounting tab of Q0611 on the top of the main board.
8. The green wire of the GTX interface cable should be threaded through the chassis opening provided for the flat cable from the control head. This wire should then be soldered to the pin of Q0943 that is connected with a trace to R0945 on the control head.
9. The red and black wire of the GTX interface cable should be soldered to the junction of R0401 and R0402 on the bottom side of the main board.

## Motorola GTX Interface (cont'd)

10. Secure the main board and replace the control head and the top cover. Insert the remaining wires of the GTX interface cable into the radio's accessory connector as follows:

Pin #	Wire
2	Blue
3	White/Black
7	Black/Shield
11	Orange

11. Secure the GTX interface cable to the accessory connector with the cable tie strap. Connect the accessory connector to the radio and slide the accessory connector gasket into place.
12. Connect the DB-15 end of the GTX interface cable to the DB-15 connector on the back of the TrakIt-20.
13. Check the TrakIt-20's audio levels by performing the alignment procedure described in this manual.



**Motorola GTX Interface (cont'd)**

**Motorola GTX Interface Cable Kit  
106-TRCBLGTX**

<b>Item</b>	<b>Description</b>	<b>Part No.</b>	<b>Qty.</b>
1	CABLE TIE (SHORT)	200-0081	1
2	SCREW/CLIP KIT	231-0014	1
3	CONN DB15 MALE	231-0035	1
4	COVER DB15	231-0036	1
5	AMP, PINS	234-0096	4
6	CBL, 8 CONN 22 AWG STR	800-1114	1'