

Ritron DTX-150 Interface Cable Kit

The following items are included in the Ritron DTX-150 cable interface kits.

1. Ritron DTX-150 interface cable assembly.
2. Instruction sheet.

The following steps outline the procedure for interfacing the Ritron DTX-150 radio to the TrakIt-20.

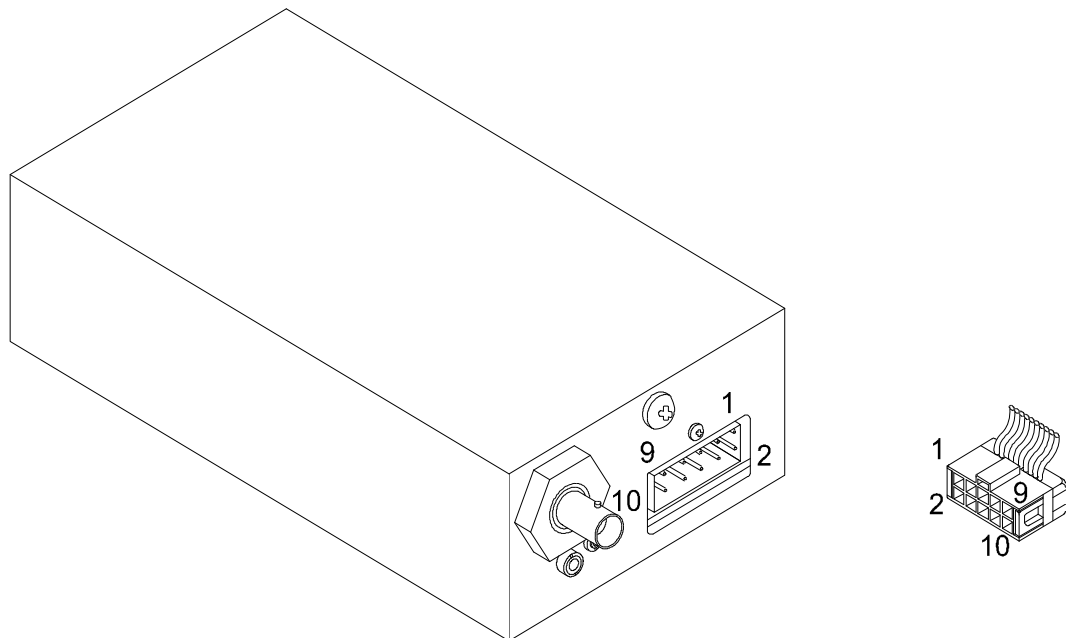
1. Set the TrakIt-20 up for a bench test and use the AVL Installer program to set the following operating constants in the installer table to the indicated value:

Transmit indicator active:	Low
Receive indicator active:	Low
PTT output active:	Low
Enable mic mute gate on transmit:	Yes
Enable Tx indicator as event 2:	No
External output active:	Low
External output mode:	Speaker mute

2. Configure the following jumpers as indicated:

JP1 Cut
JP4 A-B

3. Connect the Ritron DTX-150 interface cable to the Ritron DTX-150 radios 10 pin connector as shown in the following diagrams:



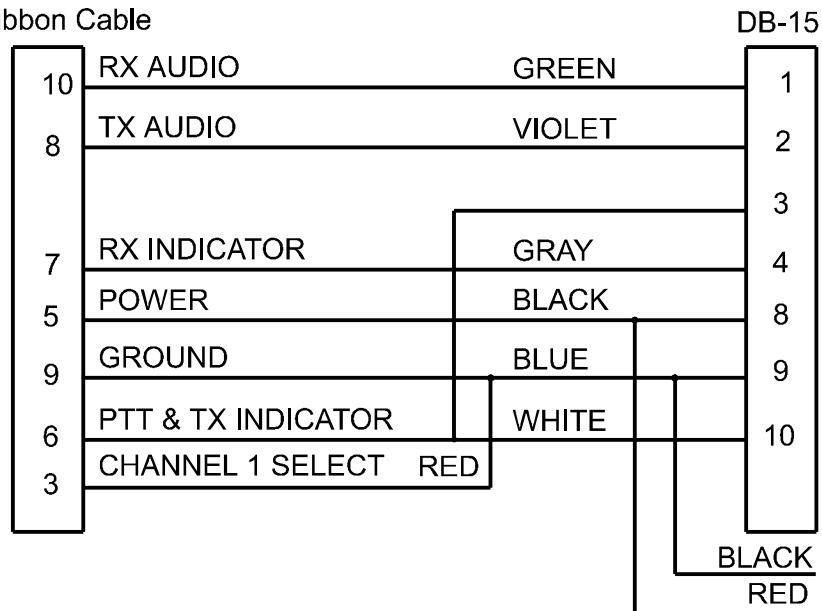
RITRON DTX-150 RADIO & 10 POS. CABLE CONNECTOR

Ritron DTX-150 Interface Cable Kit (cont'd)

4. The colored ribbon wires used for Ritron DTX-150 interface cable is described in the table below:

Red	Pin 3 - Channel 1 Select
Black	Pin 5 - Power
White	Pin 6 - PTT & TX Indicator
Gray	Pin 7 - RX Indicator
Violet	Pin 8 - TX Audio
Blue	Pin 9 - Ground
Green	Pin 10 - RX Audio

10 POS. Connector
with Ribbon Cable



RITRON DTX-150 CABLE KIT 106-DTX150

Item	Description	Part No.	Qty.
1	WIRE, 22 AWG RED	222-0014	1'
2	WIRE, 22 AWG BLACK	222-0021	1'
3	SCREW/CLIP KIT	231-0014	1
4	CONN DB15 MALE	231-0035	1
5	COVER DB15	231-0036	1
6	10 POS. CONNECTOR	231-3310	1
7	10 WIRE RIBBON CABLE	800-0034	1'