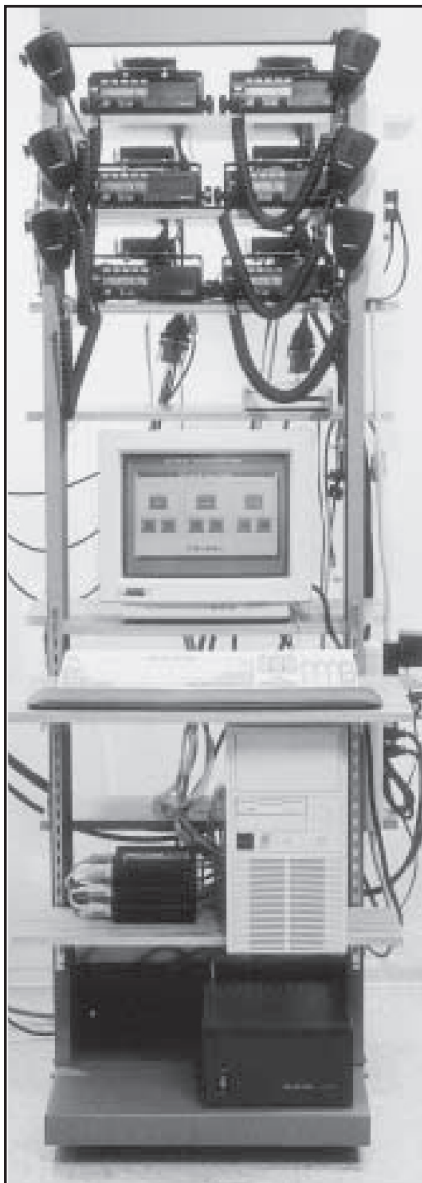


NET-LINK MP

High Capacity Dispatch Networking for LTR Trunking



- Multiple Customers • Multiple Sites • Multiple Voice Paths
- No Phone Lines Needed • No Microwave • No DTMF Needed
 - Uses Existing Trunking Frequencies
 - No Modifying Customers' Mobiles
- Uses EF Johnson 9800 Mobile Radios and PC Computer

NET-LINK MP is a software and hardware package that provides multi-user and multisite linking between LTR trunking systems. It can provide from 1 to 3 paths between sites, so up to 3 simultaneous conversations can take place through a NET-LINK MP system. These paths are trunked, so the network capacity is increased over just using 3 independent NET-LINK systems. NET-LINK MP eliminates the need for telephone lines, microwave, or even other radio frequencies besides those which are already licensed to the SMR operator. Operation is almost completely transparent to the end-user, since DTMF microphones or other complicated signaling methods or procedures are not needed in order to establish a path through a NET-LINK MP system. The NET-LINK MP computer/radio interfaces use our exclusive WordSaver Digital Audio Delay, virtually eliminating the chance of any lost words or syllables during a conversation through a NET-LINK MP system. No modifications need be made to the end user's mobile units and these mobile radios need not be any particular brand or model.

An IBM PC compatible computer, along with 1 to 3 NET-LINK interfaces, allows 2 to 6 EF Johnson 9800 control station radios to be connected together in a "back-to-back" configuration, similar to a repeater. No extra hardware or software is needed in either radio. One system and group position is used on each radio for each site that is networked. Since the computer sets the proper LTR ID Code in each radio, and it is NOT necessary to use separate group positions, up to 250 LTR ID Codes can be encoded/decoded per site. This allows multiple users to use the NET-LINK MP system with multiple sites. The long delays due to system scanning in the radios is greatly reduced, or even eliminated, since system scan only needs to be used for multiple sites and NOT multiple users.

When a user transmits, NET-LINK MP sets up 2 control station radios for a link. Each radio is locked to receive and transmit ONLY the proper LTR ID Codes for that user. The conversation can then proceed as if both users are talking on the same trunking system. The WORDSAVER feature prevents the loss of syllables or words due to extended access times when working multiple sites. This operation is transparent to the user.

If a NET-LINK MP system is set up with 2 or 3 paths, then the system will trunk the paths. This allows up to 3 simultaneous conversations to take place through a NET-LINK MP system, thus increasing the capacity.

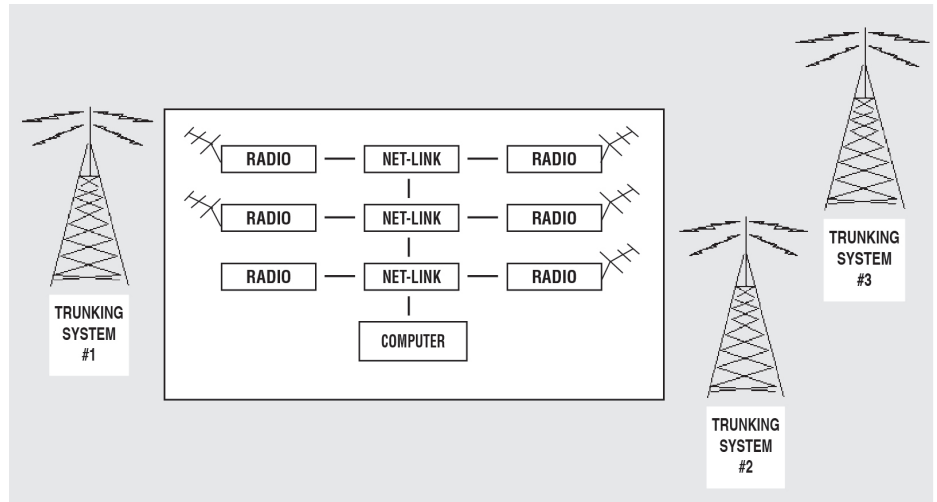
Incorporated into NET-LINK MP is a method of providing the user knowledge of whether the distant linked trunking system is busy. If access to the distant linked trunking system has not taken place, due to all channels at the site being busy or the site being 'down', a series of short beeps will be heard when a user unkeys his/her microphone.

LTR is a registered trademark of EF Johnson Co.
IBM is a registered trademark of International Business Machines, Inc.
NET-LINK MP & WORDSAVER are trademarks of IDA Corporation.
Specifications subject to change without notice.



NET-LINK MP FEATURES

- Provides multi-user, multisite linking between LTR trunking systems.
- WORDSAVER feature virtually eliminates the chance of lost words or syllables.
- Makes use of existing frequencies – no microwave, telephone lines, or other radio frequencies are needed.
- No need for DTMF mics on mobiles, or any special procedures to access a link.
- Uses IBM PC or compatible computer, so software upgrades are simple. Parameters, such as how long a user has access to a link, are also dealer programmable.
- NET-LINK MP controls the radio's ID Codes, rather than depending upon the limited programming capabilities of the radios, allowing up to 450 user/paths to be set up.
- Local programming of NET-LINK MP is provided, as well as REMOTE programming by telephone line with the simple addition of a modem and remote operating software. Even the radios can be programmed remotely.
- Fast, easy installation.



NET-LINK MP System Package includes

QTY	Part Number	Description
1 to 3	431-NL-MP	Net-Link Interface w/Wordsaver (requires 1 per voice path)
1	431-NL-MPSW	Net-Link Multi-Path application software
1	431-NL-MPOS/HW	Net-Link Multi-Path operating system software
1	--	Hardlock device
1	--	nterface cables and connectors
1	--	Pentium PC with 8 port serial card. Monitor and keyboard not included.
2 to 6	--	EF Johnson 9800 mobile radios

All software is installed and tested.

MORE INNOVATIVE PRODUCTS TO MAKE THE MOST OF YOUR RADIO SYSTEM

NET-LINK Single Path all the advantages of Dispatch LTR Networking in a low cost single voice path package. Perfect for small systems or selected customers. Available for EF Johnson 8605, High Tier 9800, or Viking HT mobiles.

EASY-LINK Plus low cost single customer Dispatch Linking between two sites. Provides linking Conventional to Conventional, Conventional to LTR, or LTR to LTR.

For more information call: