

# MODEL 24-66 VOIP MINI CONSOLE BASE REMOTE CONTROLLER

Building on the very popular 24-66 VOIP platform the “Mini Console” will allow control of up to 6 separate base station radios via Ethernet connection.

Accomplish remote control throughout your communications network without costly leased lines or expensive cabling. Control multiple stations across far flung sites in a snap, using a LAN, WAN or even the World Wide Web.

Designed with an industry exclusive **any button – any function** programmability, the VOIP MINI CONSOLE features unparalleled flexibility.



## STANDARD FEATURES

- Select up to 6 Sites
- Select up to 250 Channels or Talk Groups
- Selected and Unselected Audio
- Available with Handset or Desk Mic
- Alpha-Numeric Display

- 110 or 15 Volt Operation
- US or European Power Supply
- Mute
- Alarm Tone
- Intercom
- Clock
- VU Meter

## OPTIONS

- One Touch Transmit
- Wall Mount
- Headset and Footswitch

---

## VoIP – Communications in a Whole New Way

There are many reasons to consider VoIP for your base station remote control needs.

### Taking advantage of existing infrastructure

Using the existing computer network avoids the costly installation of separate communications cabling.

### Cutting monthly expenses

Dedicated Leased Lines are growing more and more expensive. VoIP technology from IDA lets you control your radio system from anywhere to anywhere that has high speed data capability and a STATIC IP address.

### More value and features

IDA's VoIP Mini-Console provides affordability and flexibility unmatched in the Land Mobile industry. Whether your needs are trunking or conventional, local networks or the World Wide Web, let IDA Corporation's VoIP equipment help you communicate in a whole new way.

2466\_VOIPMC / R10\_06

Figure 1: Basic Mini Console VoIP Radio Control System

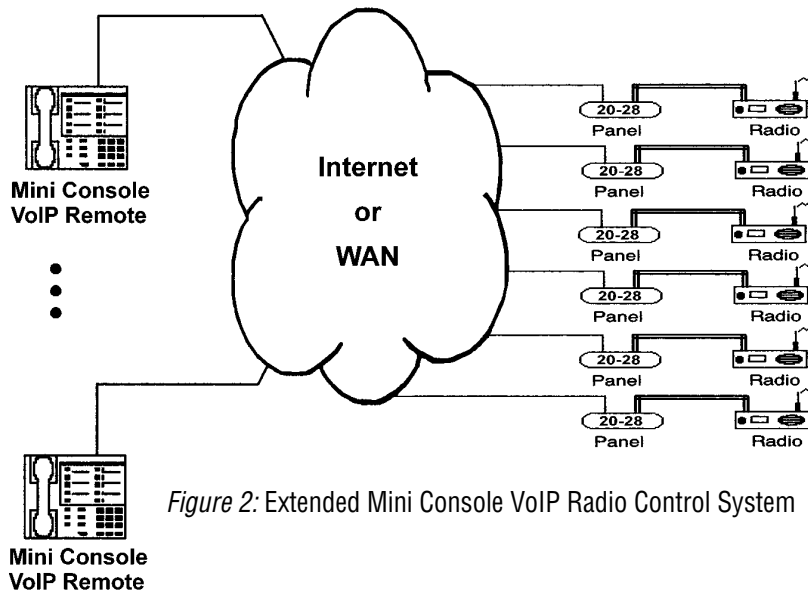
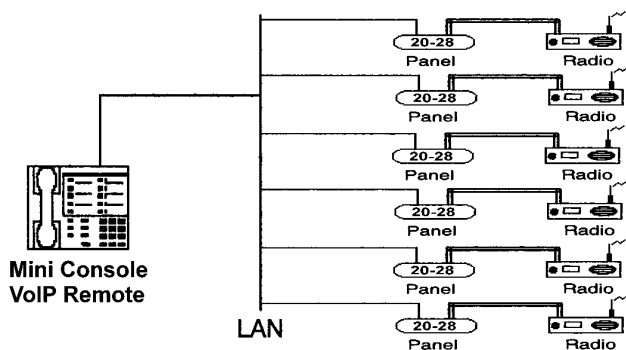


Figure 2: Extended Mini Console VoIP Radio Control System

The MODEL 24-66 VOIP MINI CONSOLE Remote Controller is intended for use with IDA's MODEL 20-28 VOIP TERMINATION PANEL and will support both trunking and conventional systems.



## MODEL 20-28 VoIP Termination Panel and Mini Console

Designed for use with the MODEL 24-66 VoIP desktop controller, the MODEL 20-28 VoIP interfaces to remotely located base stations or repeaters. Based upon proper control signals received from the desktop controller the MODEL 20-28 VoIP directly controls the radio by either binary or serial control.

### Local Option

For installations where local operation of the base station is desired, the 20-28 VoIP is available with desk microphone, speaker jack and volume control. (Option RTM-604)

## Model 24-66 VOIP SPECIFICATIONS

Input voltage	15 Vdc @ 1000 mA 24 Watt Wall Transformer 2.1 x 5.5 mm barrel conn. Center (+)
Current consumption @ 15 Vdc	450 mA (TX) 800 mA (RX) 400 mA (Standby)
Standby voltage	15 Vdc
Temperature range	0 to +60 degrees C
Relative humidity	90% at 50 degrees C
TX hum and noise	-60 dB (ref. +0 dBm)
Threshold of compression (speaker audio)	-20 dBm adjustable
Speaker audio output	3 W into 4 ohms
Distortion at rated speaker output	< 3%
RX hum and noise	-47 dB (ref. 0dBm)
Frequency response	+1, -3 dB (300 to 3000 Hz)
TX compression	With an audio increase of 30 dB beyond the start of compression the output increases less than 17.5 db
Ethernet Interface	The Ethernet interface consists of a three port switch. One port connects externally to the LAN and the second port connects externally to a computer to allow the computer access to the LAN. The third port connects internally to the Ethernet port of the NET+ARM MCU.
DSP firmware	The DSP firmware provides the following standard CODEC algorithms: G.711, G.723.1, G.726.
Weight	4 lbs 15 oz
Dimensions	4.75" (H) x 10" (W) x 8" (D)

2466\_VOIPMC / R10\_06